

HYDRAULIC EXCAVATOR **SY305C LC**



SANY

Quality Changes the World

Rated Power

284 hp / 209 kW

Operating Weight

71,132 lb / 32,265 kg

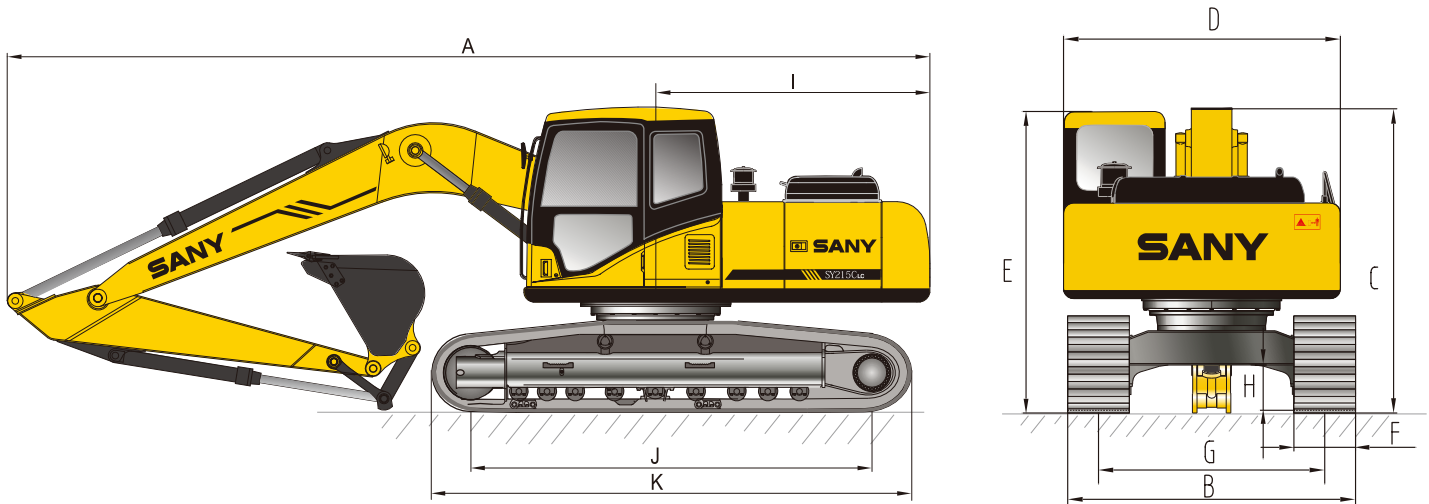
Dig Depth

22' 4" / 6815 mm

Bucket Breakout

45,861 lbf / 204 kN

SY305C LC DIMENSIONS & SPECIFICATIONS

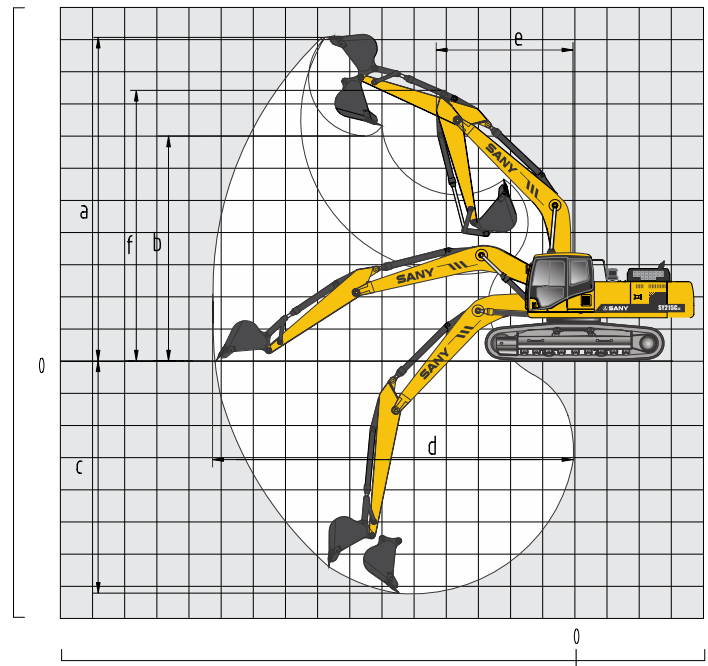


OVERALL DIMENSIONS

A. Transport Length	35' (10667 mm)
B. Transport Width	10' 6" (3190 mm)
C. Transport Height	11' 5" (3470 mm)
D. Upper Width	9' 10" (2986 mm)
E. Cab Height	10' 9" (3280 mm)
F. Track Shoe Width (standard)	2' (600 mm)
G. Track Gauge	8' 6" (2590 mm)
H. Minimum Ground Clearance	1' 9" (550 mm)
I. Tail Swing Radius	10' 11" (3315 mm)
J. Length Center Idler to Center Sprocket	12' 10" (3916 mm)
K. Track Length	15' 11" (4840 mm)
Boom Length	20' 2" (6150 mm)
Arm Length (standard)	10' 6" (3200 mm)

MACHINE PARAMETERS

Operating Weight	71,132 lb (32,265 kg)
Engine Type	Cummins L9 Stage V
Engine Max Power (Gross)	284 hp (209 kW) @ 2100 rpm
Engine Max Torque	1086 lbf-ft (1472 Nm) @ 1400 rpm
Engine Displacement	542 in ³ (8.9 liter)
Main Pump Flow	2x 62 gpm (562 lpm)
Swing Speed	9 rpm
Travel Speed	2.1/3.2 mph (3.4/5.2 km/h)
Tractive Effort	55,078 lbf (245 kN)
Max Arm Digging Force (ISO)	34,396 lbf (153 kN)
Number of Upper Rollers	2
Number of Lower Rollers	8
Fuel Tank Capacity	119 gal (540 liter)
DEF Tank Capacity	19 gal (85 liter)
Hydraulic Tank Capacity	66 gal (300 liter)
Cooling System Capacity	7.9 gal (36 liter)
Engine Oil Capacity	4.6 gal (21 liter)
Ground Pressure (23.6"/600mm shoes)	8.7 psi (60.3 kPa)



WORKING RANGE

a Maximum Digging Height	34' 5" (10497 mm)
b Maximum Dumping Height	24' 2" (7359 mm)
c Maximum Digging Depth	22' 4" (6815 mm)
d Maximum Digging Reach	35' 8" (10870 mm)
e Minimum Swing Radius	13' 1" (4000 mm)
f Maximum Height at Minimum Swing Radius	27' 7" (8405 mm)